

CYCLEPORT BICYCLE SHELTER SYSTEM



COVERED
BICYCLE
PARKING



CYCLEPORT BICYCLE SHELTERS

Our shelters provide:

Durability
Modularity
Protection

CyclePort is a modular bicycle shelter system that has a curved, contemporary design to blend with traditional and modern environments, providing organized and secure storage of bikes on any site. Basic unit features a sheet-molded composite canopy, with a sandstone polyurethane finish, contoured for runoff.

Support frame is heavy gauge steel tubing protected with polyester powdercoat taupe finish to blend with the built environment. Side panels can be specified with plexiglass, wire mesh or perforated metal for additional protection from the elements with options for signage or graphic panels. CyclePort Shelters provide ideal bike parking solutions for covered storage at colleges, universities, park-n-ride lots, transit stops or commercial centers, with the same durability and quality of all CycleSafe products.

DESIGN TO FIT YOUR NEEDS

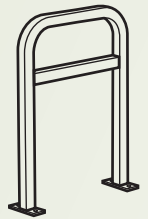
- 1 **BASE UNIT:**
 - 2-Canopy
 - 3-Canopy
- 2 **FRAME OPTIONS:**
 - Radial Mount
 - Surface Mount
 - Adjustable Surface Mount
- 3 **CLADDING:**
 - Plexiglass
 - Wire Mesh
 - Perforated Metal
 - Solid Sheet (Coated Vinyl)
 - Display Frame
 - Graphic Panel
- 4 **RACK:**
 - Staple Rack
 - Wallrack
 - Hi-Density Rack

Staple Rack

Features heavy gauge steel with a thick vinyl Plastisol coating to insure protection and stability for the bike. The Staple Rack provides lockability to wheel and frame, and is recommended for short term parking.



Each Staple Rack accommodates 2 bikes. Specify Surface Mount, Rail Mount, or Inground.

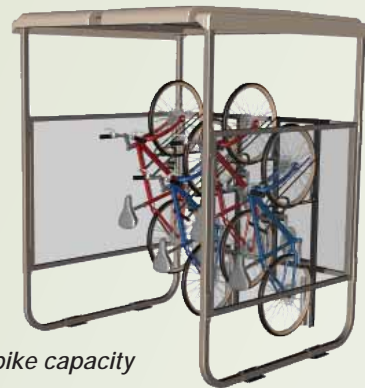


Optional Graphic Panel

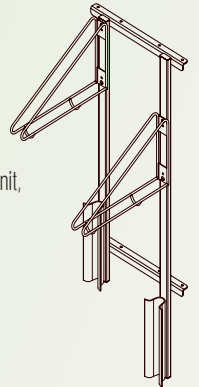
(2) Staple Racks, 4 bike capacity

Vertical Wallrack™

Space efficient Wallracks offer covered bike parking by rolling the bike in a vertical position which protects and supports the bike frame, and allows for pedestrian space. Must specify 3-side panels.



Each Vertical Wallrack accommodates 1 bike, 4 Vertical Racks typical for a 2-Canopy unit, 6 Vertical Racks per 3-Canopy unit.



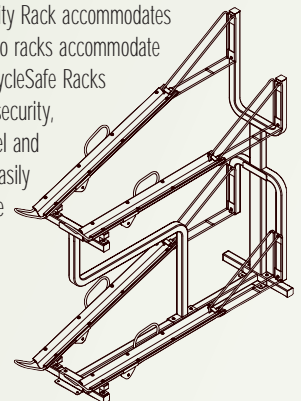
(2) Vertical Wallracks, 4 bike capacity

Hi-Density Rack

For maximum capacity, the Hi-Density Rack offers cost efficient bike parking in a two tier capacity. Simply roll the bike along the channel provided and lock in place. One Hi-Density Rack allows double level parking for 4 bikes. Two racks combined with a 2-Canopy unit parks 8 bikes. Three racks combined with a 3-Canopy unit parks 12 bikes.



Each Hi-Density Rack accommodates 4 bicycles, two racks accommodate 8 bikes. All CycleSafe Racks provide high security, enabling wheel and frame to be easily secured to the rack.



(2) Hi-Density Racks, 8 bike capacity

Heavy gauge D-Locks recommended for all rack styles.

MODULAR FOR EXPANSION

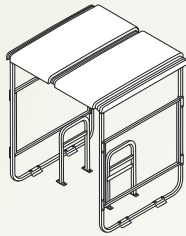
Combine our CyclePort Shelter system with CycleSafe bicycle lockers to meet long term and short term parking needs, from the dedicated cycle commuter to on-demand user requirements. Contact a CycleSafe Representative to develop a bike parking plan to meet your site/user demands and budget.



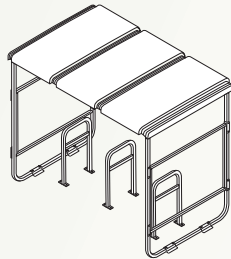
(4) Double-Tier Lockers, 8 bike capacity
(4) Vertical Wallracks, 4 bike capacity

SITE FLEXIBILITY

2-Canopy unit

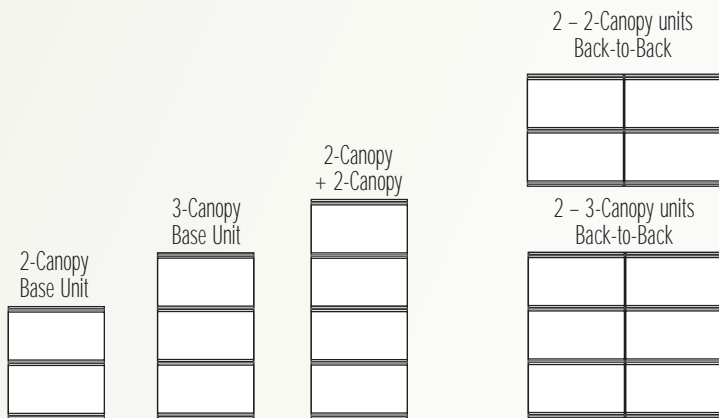


3-Canopy unit



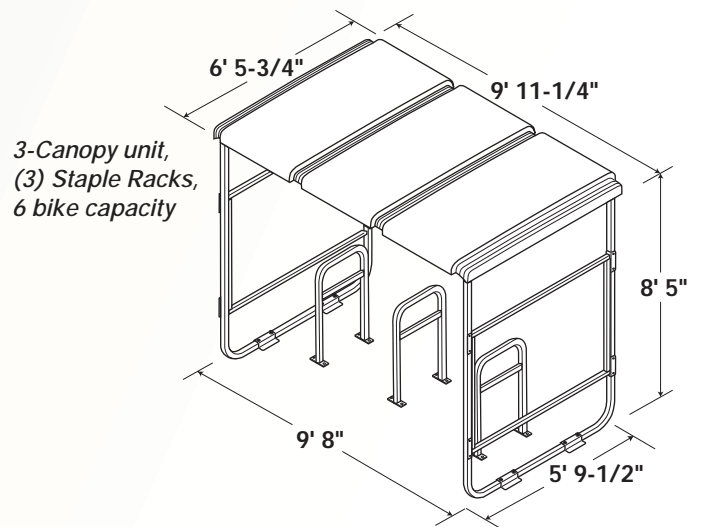
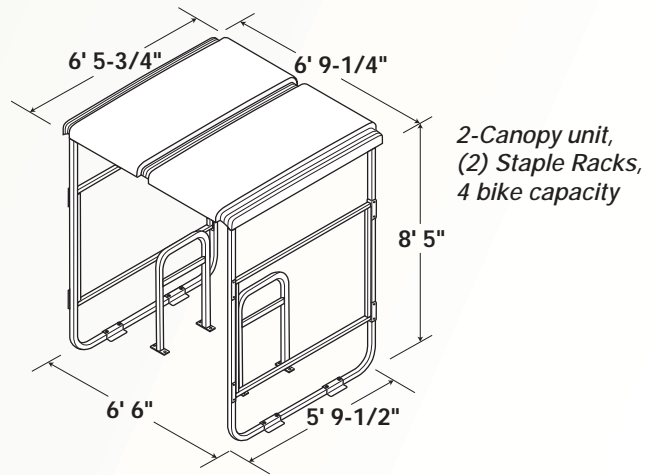
CyclePort Shelters features 2-Canopy or 3-Canopy units that can be configured in many ways to meet site requirements and bike parking capacity. Our modular shelter system integrates with CycleSafe double tier bicycle lockers to address the needs of the cycle commuter.

Design CyclePort 2-Canopy and 3-Canopy units in a linear row or configure back to back to meet bicycle parking needs and site dimensions.



Combine 2-Canopy units with 3-Canopy units for endless possibilities.

DIMENSIONS



CycleSafe's Product Line



LOCKERS

The ProPark® bicycle locker from CycleSafe is an attractive, pad-mounted modular system that's easy to install, requires minimal maintenance, and provides the ultimate in bicycle security.



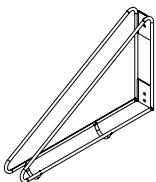
U2 RACKS

CycleSafe's "inverted U" type bike racks are the leading edge in technology for bike rack parking and offer the best of short-term cycle parking. The inverted U-rack design for two bicycles is widely regarded as the recommended standard for modern bicycles.



VINTAGE RACKS

Vintage Racks by CycleSafe are a novel blend of the old and the new. They capture the charm of traditional ornamental bicycle standards. Vintage Racks were developed in response to urban planners' efforts to recreate historic streetscapes as counterpoints to the hustle and bustle of the modern world.



WALLRACKS

WALLRACK by CycleSafe is an innovative bike hanger with a clever wheel cage to support the bike frame and allow the user to hang the bike vertically in a space efficient design. The Wallrack allows locking of the wheel and frame with cyclists' common 'D' lock and also hang gear.

CycleSafe's manufacturing processes are compliant to ISO 9000 and ISO 14000 International Quality Standards for Manufacturing and Environmental Management. Our Environmental Policy stresses Continuous Improvement, Prevention of Pollution, Certification of Sustainable Practice and support LEED Certification towards Site Sustainability.

PARKING OPTIONS

CANOPY UNIT



- Standard finish is Sandstone
- Custom colors upon request

Two Canopy Unit - Free standing starter unit with two or three side panels.

Three Canopy Unit - Free standing starter unit with two or three side panels.

NOTE: All Vertical Wallrack parking options require back panel.

Select Two or Three adder units to complete a row or back-to-back configuration in any combination to meet site dimensions and maximize bike parking capacity.

FRAME OPTIONS

Support legs must be anchored to 4" min. (250 mm) 2,000 psi concrete for stability.



- Radial Mount – (8) anchor bolts with (2) connector plates per frame



- Surface Mount – (8) anchor bolts provided



- Adjustable Surface Mount – (8) anchor bolts provided



- Standard finish is Taupe
- Custom colors upon request

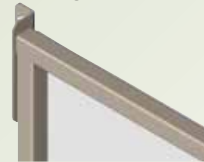
CyclePort Shelters are supplied in kit form with easy to follow instructions for onsite assembly and installation.

Contact us for specifications and installation details.

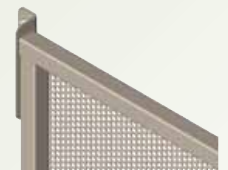
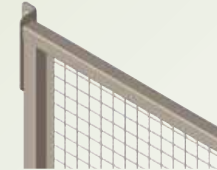


CLADDING MATERIALS:

- Select with or without back panel
- Choose material
 - Plexiglass - clear or coated



- Wire mesh / Perforated metal



- Solid Sheet (coated vinyl)



- Standard finish is taupe
- Custom colors upon request
- Display frame or silk screened logos can be applied to side panels - call for quote

SPECIFY RACK SYSTEM

Determine bike parking capacity needs to fit your budget. Call for quotation.

- Standard finish is black
- Custom colors upon request

Staple Rack - Heavy gauge steel tubing with thick vinyl black Plastisol coating.

Two Canopy units – 4 bike capacity
Three Canopy units – 6 bike capacity

Vertical Wallrack™ - Standard black polyester powder coat with E-coat primer.

Two Canopy units – 4 bike capacity
Three Canopy units – 6 bike capacity

Hi-Density Rack - Standard black polyester powder coat with E-coat primer.

Two Canopy units – 8 bike capacity
Three Canopy units – 12 bike capacity

©2010 CycleSafe, Inc. / Patent Pending Components

888.950.6531 CYCLESAFE.COM INFO@CYCLESAFE.COM

*CycleSafe® and ProPark® are Federally registered trademarks. Printed on recycled paper. 

Rev. 1.14.10.