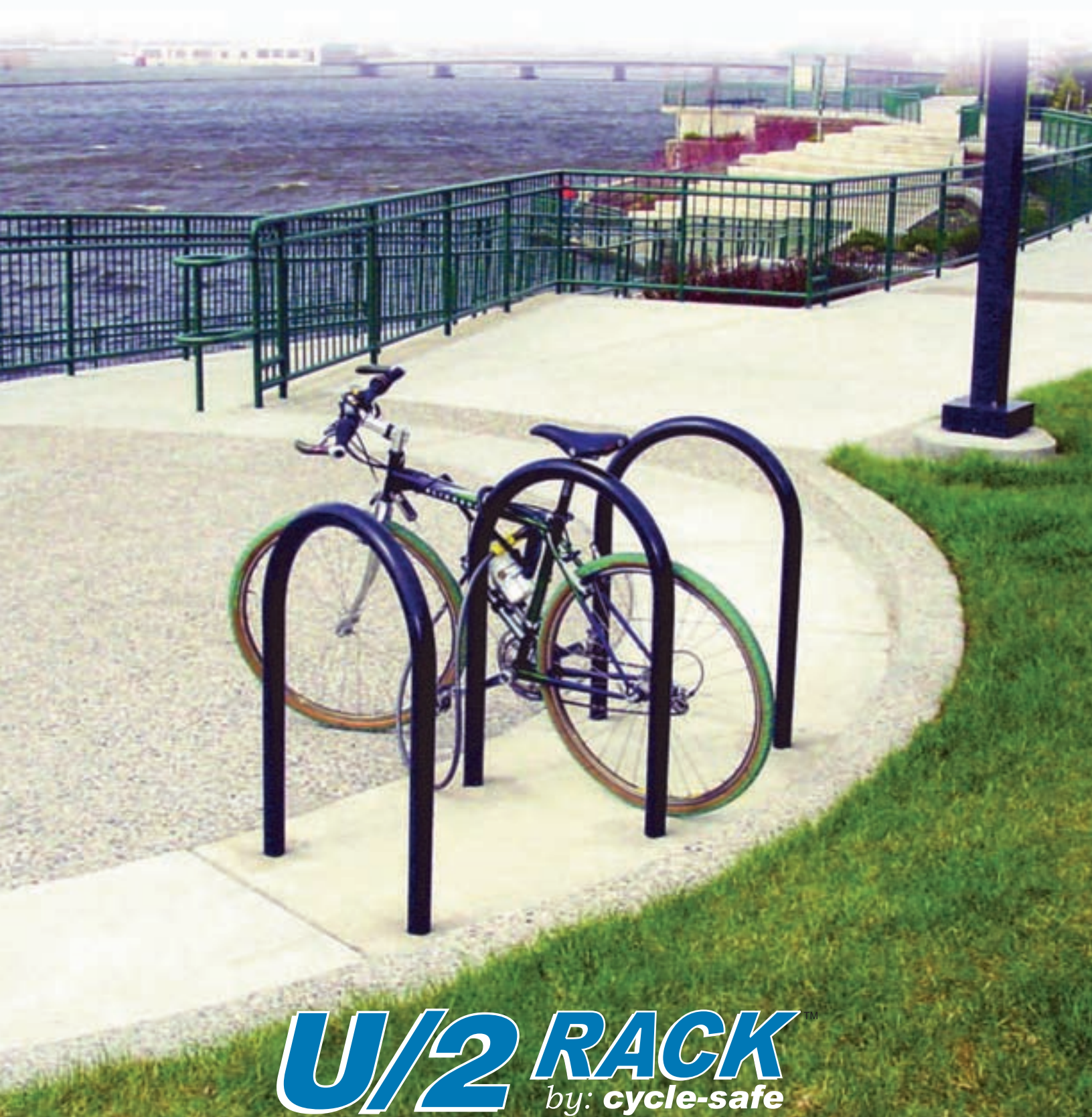




**CycleSafe**<sup>®</sup>  
SECURE BICYCLE PARKING

## *Cycle-Safe Maintenance-Free U/2™ Bike Racks*



**U/2 RACK**<sup>™</sup>  
by: **cycle-safe**

## Durable and Maintenance-Free

Cycle-Safe® inverted U/2 bicycle racks provide leading edge coating technology and offer the best solution for short-term bicycle parking. The one-bend bike rack design accommodates two bicycles per rack and is widely regarded as the recommended standard for space efficiency and bicycle protection. Cycle-Safe bike racks are completely coated with a thick, rubberized plastisol coating over schedule 40 steel pipe for maximum corrosion resistance, impact resistance, and protection of bicycle finish. This combination has proven to resist rust, scratches and dents better than any other finish.



## Superior Design for Better Safety

Cycle-Safe U/2 racks provide lean to support with more stability for the bicycle frame than front wheel holders or ribbon type racks which do not support the bike frame in two places. The clean lines of the One-Bend inverted-U rack design are safer for pedestrian traffic with bikes parked securely in a uniform fashion. U/2 racks accommodate more bicycles per square foot to increase bike parking capacity. Bicycle racks are typically installed directly into a slab which results in additional strength and permanence to bolster user confidence. Bicycle frame should be secured to the rack with a standard U lock for optimal security.

U Lock Compatible



## Aesthetically Pleasing

The Cycle-Safe U/2 rack is symmetrically designed to resemble the commonly used "U" locks and are aesthetically pleasing to blend with any environment. All racks leave the bicycle vulnerable to theft of components and vandalism, bike lockers are the preferred choice for protection and security. Coating performance of all metal racks vary widely, the best long term solution is a thick jacketed plastisol coating as provided by Cycle-Safe. Our standard U/2 rack finish is a black plastisol coating, or TGIC polyester powder coat finishes are available in a variety of custom colors. Cycle Safe offers the best finishes that maintain quality that an owner can depend on for years.

## In-ground Installation

Model	M U/2 In Ground	U/2 W/Cross Bar
U/2	12700G	12700GB

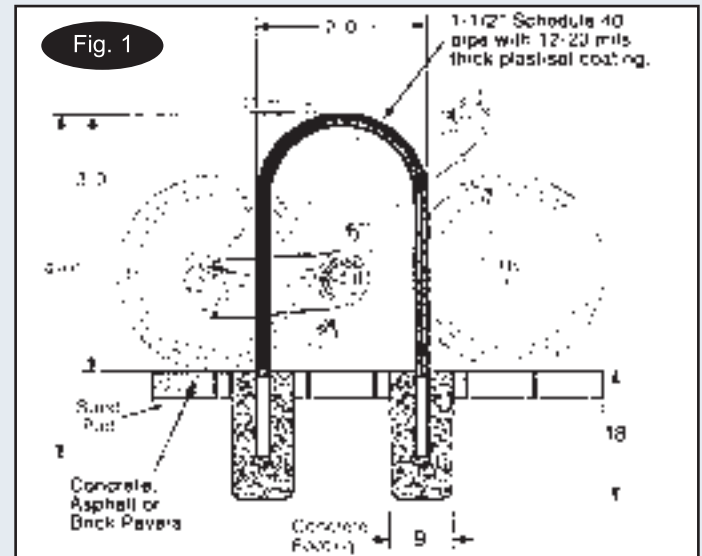
### Inverted U/2 Rack, IN-GROUND/ 2 Bicycle Capacity

Recommended installation methods for in-ground style rack: If installing on existing concrete, Cycle-Safe® U/2 Bike Racks can be anchored with a non-shrink grout poured into a 4" or 6" diameter by 12" deep core drilled holes. In-ground installations for new improved surfaces 9" Sonotube forms can be put in place to create 18" footings. U/2 inverted-U racks come in optional square pipe or in two-bend configurations.

Download Specifications & Images at [www.cyclesafe.com](http://www.cyclesafe.com)

### In-ground Installation

This is the standard for new construction and the most secure type of inverted-U installation. Existing concrete surface may be core drilled with a 3"-4" hole saw and filled with quikcrete or a construction adhesive.



## Surface Mount Installation

Model	U/2 Surface	U/2 W/Cross Bar
U/2	12700S	12700SB

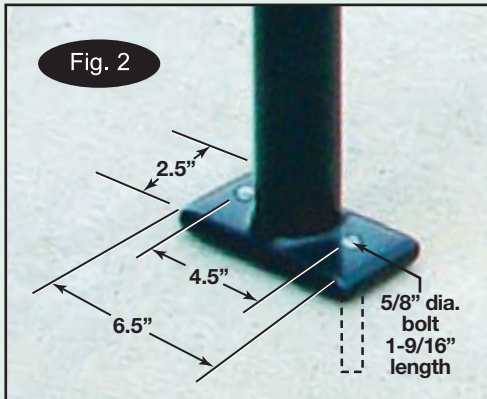


Fig. 3



3/8" SS drop in anchor for 3/8" x 1" SS anchor bolt

Drop in Anchor

### Inverted U/2 Rack, SURFACE-MOUNT / 2 Bicycle Capacity

Recommended Installation:

Cycle-Safe Surface mount U/2 Bike Racks can be anchored with tamper resistant concrete anchor screws and a Drop in anchor system (figure 3). All inverted-U racks come with optional square pipe.



Cycle-Safe Square Pipe Surface Mount U/2 Rack

12810S



Capacity for 4 bikes

12700S

12700SB

Cycle-Safe Surface Mount U/2 Racks

## Rail-Mount Installation

Model	Six foot C-Rails
U/2 Rail	12700SR

NOTE: The Rails and Surface-Mount (12700S) inverted-U racks are included.

### Inverted U/2 Rack, RAIL-MOUNT / 2 Bicycle Capacity

The Cycle-Safe Rail-Mount inverted-U modular design can be placed in areas where permanent anchoring is not desired. Simply use the 6 foot C-rail and place racks on top, securing with supplied tamper resistant hardware, 3/8" x 1-1/2" SS screw with clamping nut. (see fig. 4)

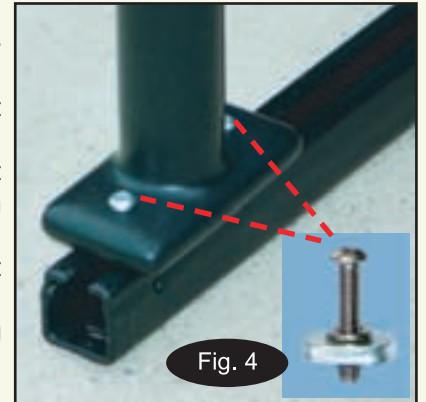


Fig. 4

### Rail-Mount Inverted-U/2 Rack



12700SR

The Rail-Mount inverted-U option creates a portable rack system. It can be placed at any location and moved for cleaning snow or debris. This versatile rack system can be furnished with additional rails to create longer rows. Rails can be anchored with tamper resistant concrete anchor systems. (see fig. 3)

The Rail-Mount option can be used with standard one-bend, Vintage Rack styles, two-bend or optional square pipe models.

U/2 Square In Ground	U/2 Square Surface
12810G	12810S

# Cycle-Safe Maintenance-Free U/2 Bike Racks



## Cycle-Safe U/2 Racks Are The Standard:

Cycle-Safe bicycle racks are designed to provide safety for users and to fit into any urban environment. The Cycle-Safe engineering team has developed three variations for installation to accommodate your needs: In-ground, Surface-Mount, or Rail-Mount.

## How to Specify Bike Racks

Bicycle rack part (indicate model and installation type), as manufactured by Cycle-Safe, Inc.

- 1-1/2" SCHD. 40 PIPE (2" O.D.), bent in the shape of an inverted "U" to a 24" outside radius standing 36" high on standard models, 35" high on stainless steel units.
- Coating to be black plastisol rubberized applying 12-20 mils thick jacket.
- Standard Color-Black
- Texture-regular grain
- Gloss-semi-gloss (optional textured)
- Tensile Strength-1800 PSI min.
- Resistance to abrasion
- Salt Spray Resistance to >2000 hours
- Hardness (Shore D) ASTM D 2240 – Results 52
- Custom colors available with TGIC polyester powder coat finishes upon request
- Installation Options: In-ground (G), Surface-Mount (S), Rail-Mount (R)

Visit our Web site for information and images...

[www.cyclesafe.com](http://www.cyclesafe.com)

Download complete specifications for each rack in Word format.



Cycle-Safe also manufactures bike lockers and a wide range of bicycle locker accessories.

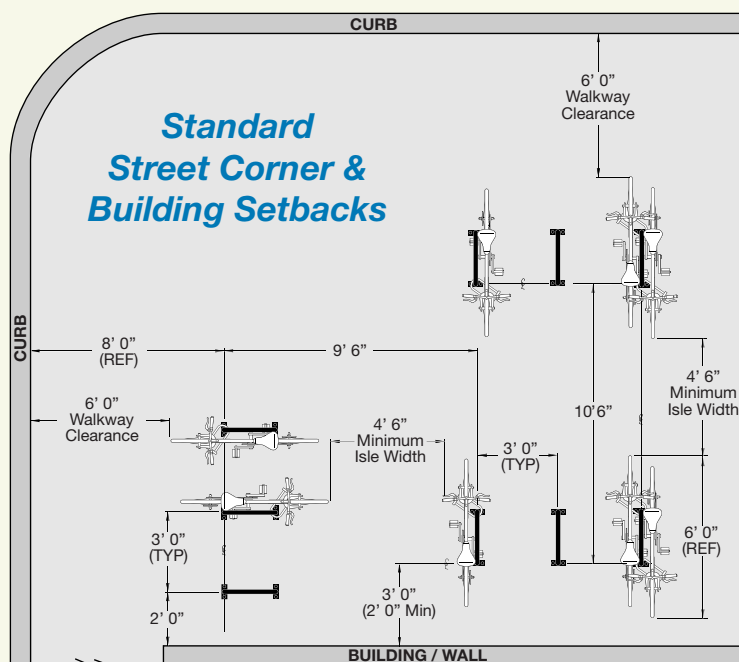
Please call or visit our web site for details. [www.cyclesafe.com](http://www.cyclesafe.com)

© 2008 cycle-safe®, Inc., cyclemanager®, Cycle-Safe® and ProPark® are registered trademarks. Printed on Recycled Paper

## Installation Layouts & Space Requirements:

Based on recommendations from the Association of Pedestrian and Bicycle Professionals and over 26 years in the bike parking industry, the following diagrams show typical configurations and space allowances for installations of multiple bike racks.

The minimum space between each rack is 3'0", more if possible to allow for ease of access. Aisles separate the rows of racks, with a minimum between aisles to be 4'-6", to allow for one person to walk one bike. In high traffic areas, the recommended aisle width is 6'-0". Aisle widths are measured tip to tip of bike tires between the rows of racks. Six feet should be allowed for each row of parked bicycles. Conventional upright bicycles are just less than 72 inches long, with handlebar widths varying from 22"-27" and can be easily accommodated with these recommended spacings.



[info@cyclesafe.com](mailto:info@cyclesafe.com)

[www.cyclesafe.com](http://www.cyclesafe.com)

TF (888) 950-6531

P (888) 954-9977

F (616) 954-0290